

STATE WHEN ORDERING

COW = mm
 CL = mm
 SBL = mm
 LAP = mm
 G = mm
 DW = mm
 Door Weight = kg

Surface treatment

Silver anodized
 Special anodized
 RAL
 Special powder coating

	Alt.1	Alt.2	
Overlap (min. 20mm)	LAP	LAP x2 =
Finger protection (min. 25mm)	E	E x2 =
Finger protection (min. 25mm)	-	F x2 =
Jamb width (min. 30mm)	J	J x2 =
Leading edge width	-	P x2 =
Sum of above			Sum =

Alt.1 COW = K	K=	(K + 2LAP - G) / 2 = DW	DW =
Alt.2 COW + 2P + 2F = K	K=		DW =
Cover length CL	(CL - Sum) / 2 =		= COW max.
Door travel COW	(COW x2) + Sum =		= CL min.

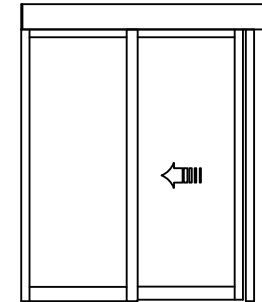
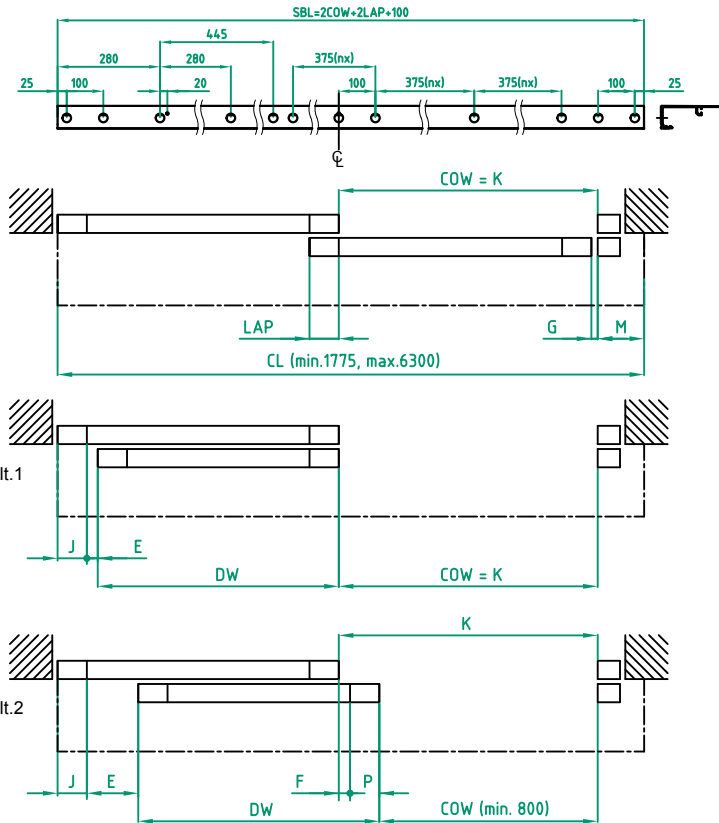
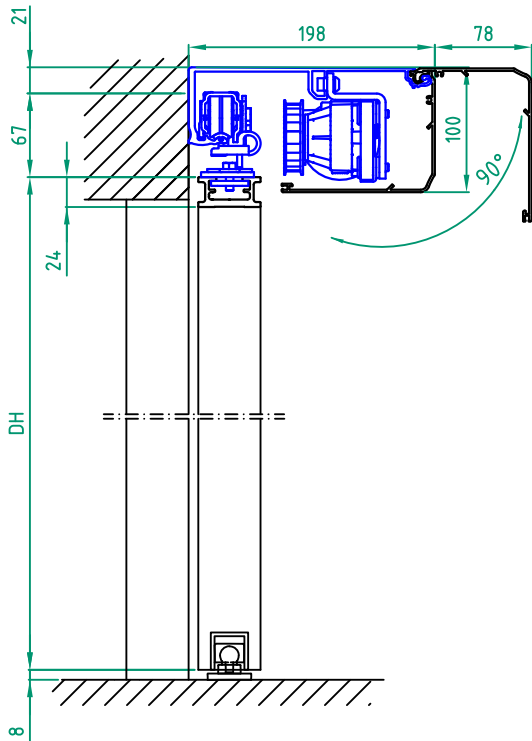
Customer: _____
 Door id: _____
 Project No: _____

Ref: _____
 Date: _____
 Sign: _____

Sliding door operator
 ASSA ABLOY SL510-2
 Art. No. 1009352

ASSA ABLOY

3.0 1013368-EI



STATE WHEN ORDERING

- COW = mm
- CL = mm
- SBL = mm
- LAP = mm
- G = mm
- DW = mm
- Door Weight = kg

Surface treatment

- Silver anodized
- Special anodized
- RAL
- Special powder coating
-

	Alt.1	Alt.2	
Overlap (min. 20mm)	LAP	LAP
Finger protection (min. 25mm)	E	E
Finger protection (min. 25mm)	-	F
Jamb width (min. 30mm)	J	J
Cover overlap (min. 100mm)	M	M
Leading edge width	-	P
Sum of above	Sum =		

Alt.1 COW = K	K =		
Alt.2 COW + P + F = K	K =	K + LAP - G = DW	DW =
Cover length CL	(CL - Sum) / 2 = = COW max.		
Door travel COW	(COW x2) + Sum = = CL min.		

Customer:

Door id:

Project No:

Ref:

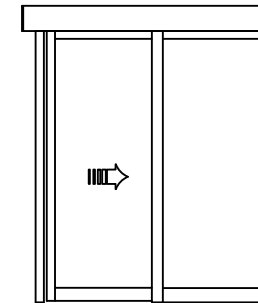
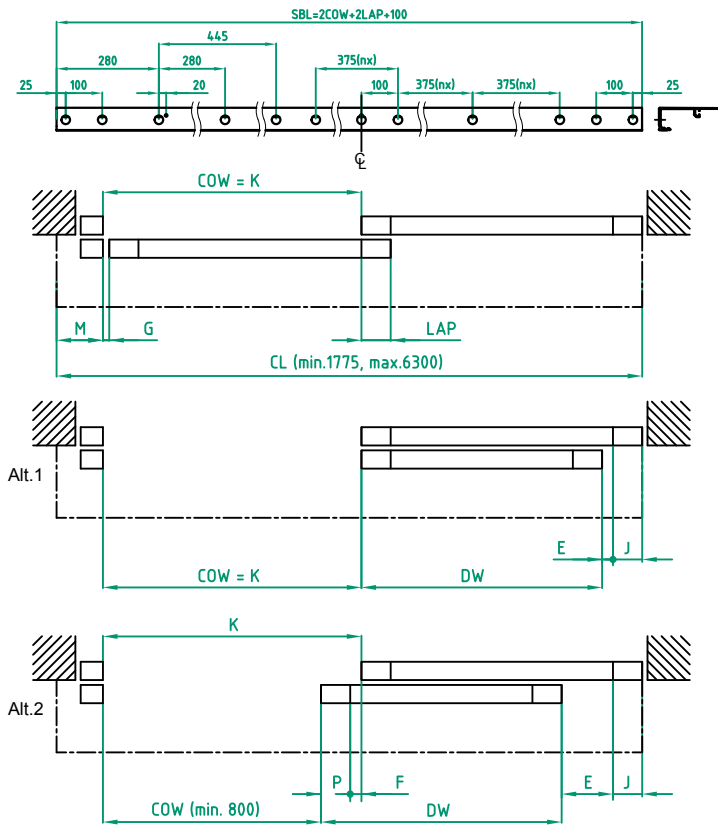
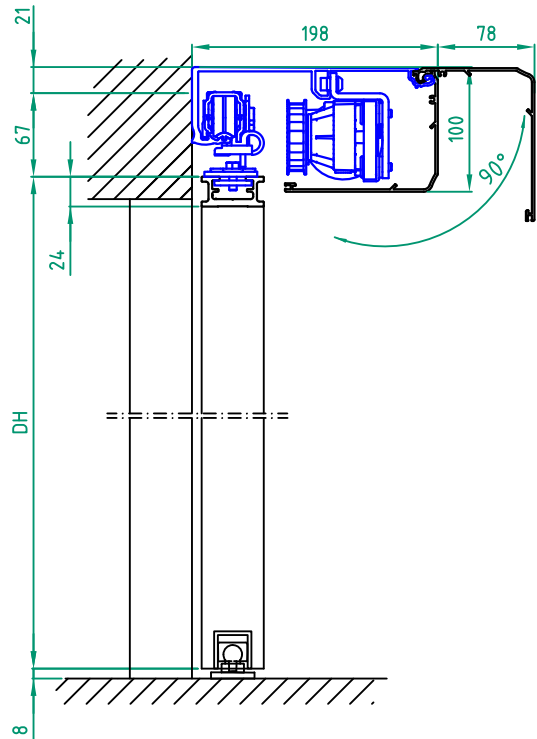
Date:

Sign:

Sliding door operator
ASSA ABLOY SL510-L
Art. No. 1009352

ASSA ABLOY

3.0 1013368-EI



STATE WHEN ORDERING

COW = mm
 CL = mm
 SBL = mm
 LAP = mm
 G = mm
 DW = mm
 Door Weight = kg

Surface treatment

Silver anodized
 Special anodized
 RAL
 Special powder coating

	Alt.1	Alt.2	
Overlap (min. 20mm)	LAP	LAP
Finger protection (min. 25mm)	E	E
Finger protection (min. 25mm)	-	F
Jamb width (min. 30mm)	J	J
Cover overlap (min. 100mm)	M	M
Leading edge width	-	P
Sum of above	Sum =		

Alt.1 COW = K	K=		
Alt.2 COW + P + F = K	K=	K + LAP - G = DW	DW =
Cover length CL	(CL - Sum) / 2 =	= COW max.	
Door travel COW	(COW x2) + Sum =	= CL min.	

Customer: _____
 Door id: _____
 Project No: _____

Ref: _____
 Date: _____
 Sign: _____

Sliding door operator
 ASSA ABLOY SL510-R
 Art. No. 1009352

ASSA ABLOY
 3.0 1013368-EI